

Safety Grating

INSTALLATION ACCESSORIES

SAFETY-GRIP® BOLT SEATS

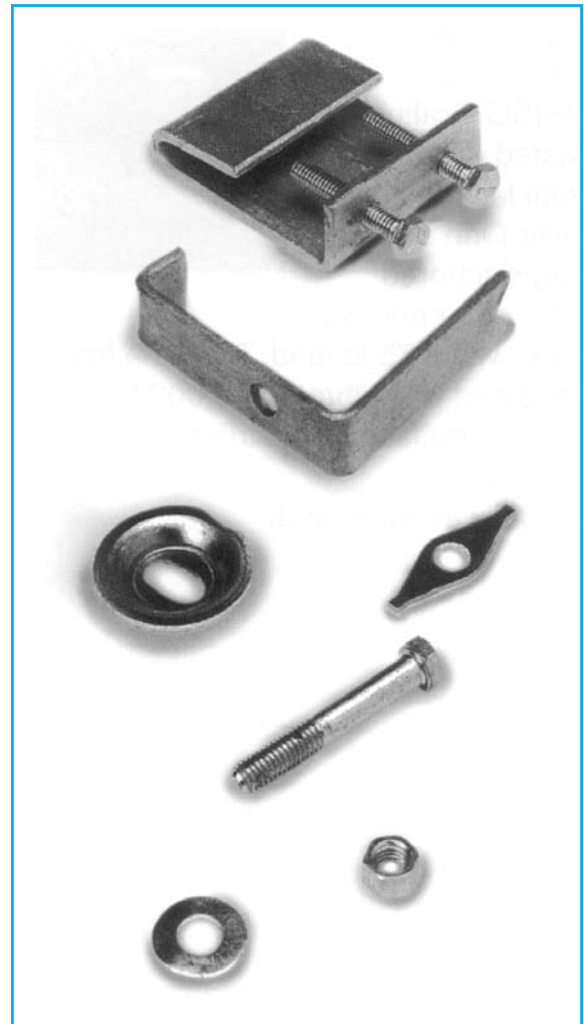
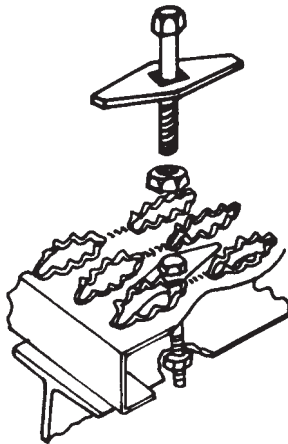
Safety-Grip® planks can be mechanically fastened to a structural support by using specially designed Bolt Seats which seat within the large debossed holes, below the walking surface. Bolt Seats have an oblong hole to accommodate a 3/8" bolt, and are available in:

- 11 ga., G90 Galvanized (H12264)
- .125" Aluminum (H12264A)
- 316L Stainless (H12264S)

DIAMOND-GRIP® BOLT SEATS

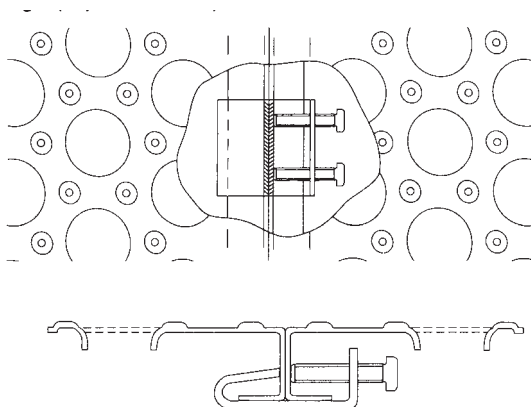
Diamond-Grip® planks can be mechanically fastened to a structural support by using specially designed Bolt Seats which seat in between the raised diamonds below the walking surface. Bolt Seats have a round hole to accommodate a 3/8" bolt, and are available in:

- 12 ga., G90 Galvanized (H12262)
- .125" Aluminum (H12262A)
- Stainless (H12262S) by special request only.
- Optional square hole in bolt seat to accommodate 5/16" carriage bolt available by special request (H12262SQ)



MID-SUPPORT CLIP ASSEMBLY

Between structural supports it may be necessary to tie planks together to minimize relative deflection. This is accomplished by using a Mid-Support Clip which draws the plank's side channels together by applying pressure between the bolts and the clip edge (clip no. MSCL).



"J" CLIP ASSEMBLIES

In order to alleviate the necessity of drilling a hole through a structural member, a Bolt Seat and "J" Clip assembly can be used. The friction connection is accomplished by wedging the grating between the Bolt Seat and structural support, by applying pressure to the underside of the flange of the supporting steel (clip no. H12296). Not recommended in areas subject to vibration.

